

# PIPE CLAMP

two pieces, heavy model

Typ **114 S Mu**  
**114 S Mu-Gu**

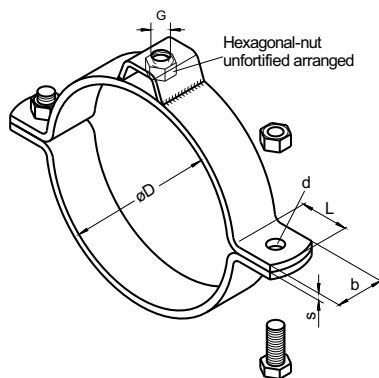
**Type 114 S Mu**



**Type 114 S Mu-Gu**  
with elastomer inlay



**SOUND INSULATED**  
according to  
DIN 4109



### Specification

Zinc-coated, stainless steel  
Material-No. 1.4301 or 1.4571.

**Also STAINLESS available**  
**RUST**  
**PROOF**

All dimensions in mm

Material b x s	ØD	G Thread connection	d	L
40x6,0	60.3 76.1 consecutive pipe diameter until 168.3	M 16	M 12	40
50x6,0	219.1 236.0 consecutive pipe diameter until 273.0	M 20	M 16	50
60x8,0	323.9 355.6 consecutive pipe diameter until 711.0	M 24	M 20	60

**Other diameters on request.**  
**Please tell us the requested pipe diameter.**