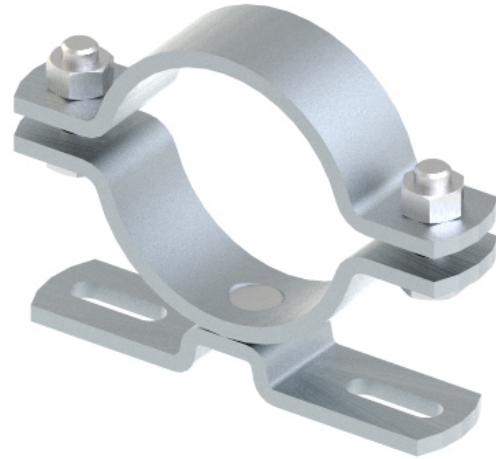
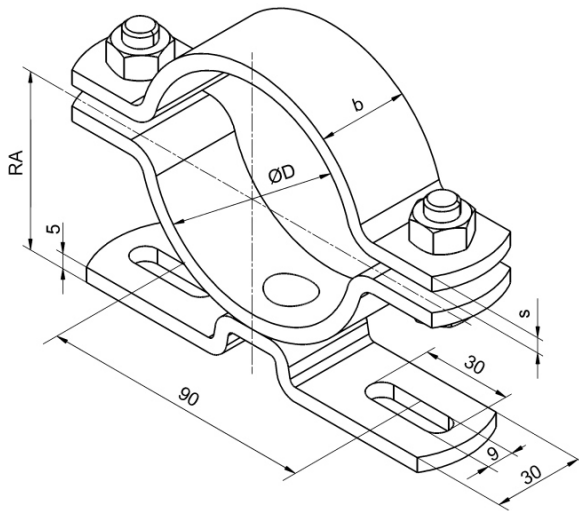


# PIPE CLAMP

Type 114-602

two pieces, with base plate



All dimensions in mm

Pipe øD	Material b x s	RA	Item number Surface hot-dip galvanized	Item number for Material A2	Item number for Material A4
21.3		32	22028148	22028162	22028155
26.9		35	22028149	22028163	22028156
33.7		38	22028150	22028164	22028157
42.4	30x5	42	22028151	22028165	22028158
48.3		45	22028152	22028166	22028159
60.3		51	22028112	22028167	22028160
76.1		59	22028153	22028168	22028161
<b>Other diameters on request. Please tell us the requested pipe diameter.</b>					

## Description

Stable two piece pipe clamp with base plate for different fields of use.

## Specification

Hot-dip galvanized, stainless steel material A2 or A4

## Packing unit

10 pieces per diameter

**Also STAINLESS available  
RUST  
PROOF**