

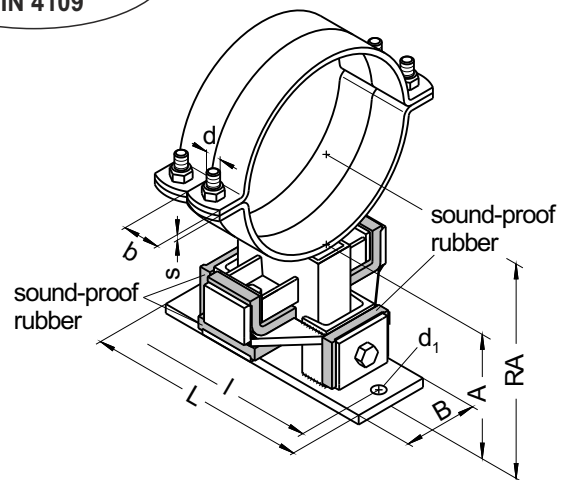
**FIXED POINT PIPE CLAMP**Type **116 SA4**

DP 4004055

dipa



**SOUND INSULATED**  
according to  
**DIN 4109**



All dimensions in mm

Gr.	Pipe $\varnothing$	A	RA $\pm 2$	B x L	b x s	d	d <sub>1</sub>	l	Item number
									Design hot-dip galvanized
1	108.0	105	160	80x240	50x8	M16	14	210	23003593
	114.3		163						23003594
	133.0		172						23003595
	139.7		175						23003596
	159.0		185						23003597
	168.3		190						23003598
2	193.7	135	232	120x300	50x8	M16	18	260	23003599
	216.0		243		50x8	M16			23026176
	219.1		245		50x8	M16			23003600
	244.5		258		60x8	M20			23003601
	267.0		269		60x8	M20			23003602
	273.0		272		60x8	M20			23003603
	298.5		285		60x8	M20			23003604
	323.9		297		60x8	M20			23003605
	355.6		313		60x8	M20			23003606
	<b>Other diameters on request.</b> <b>Please tell us the requested pipe diameter</b> <b>and the RA-dimension.</b>								

**Description**

The fixed point pipe clamp Type 116 design SA 4 is a structure-borne sound-insulating fixed point unit made from welded flat and sectional steel. The fixed point is supplied in a galvanised finish. The rubber insulation plates are tempered in the factory according to their load-bearing requirements and are distributed over 6 levels. The fastening is designed, that the load-bearing capability is equal in all directions. The rubber insulating plates are load-bearing at any one time are loaded under pressure, resulting in a high load-bearing capability. The pipe distance size indicated in the table (A) is the minimum cost-related size. According to pipe insulation strength, the A size is manufactured according to the customer requirements.

**Combination possibilities with Type**

118 CA, 118 GA, 118 ZA and 180 in connection with 190 SA

**Preferable fields of application**

Pipeline construction, distance heating, superheated steam