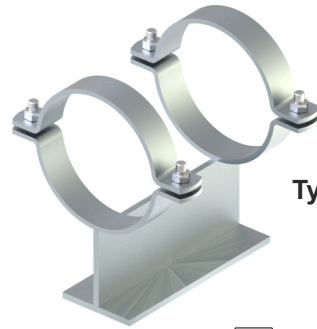
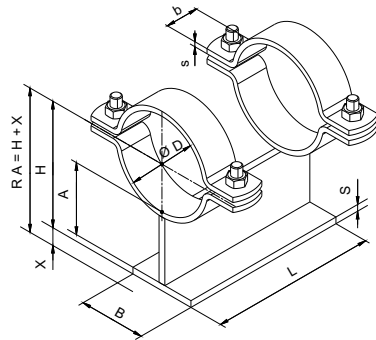
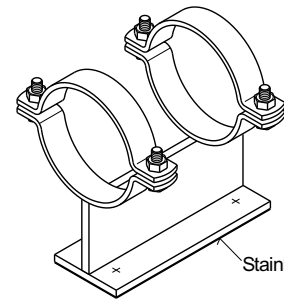


GLIDE SUPPORT

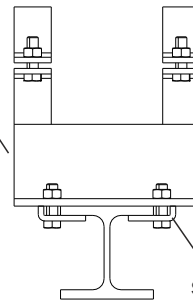
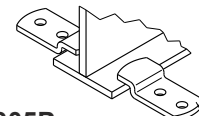
Type 121 T
121 T-VA

Type 121 T

Type 121 T-VA
with stainless steel glide plate

Stainless steel glide plate

Type 121 T

Designed
as fixed point
Type 121-305P-TType 305P
see page 193Z- Holding down clamp
z.B. Type 300 Z to screw on
see page 129

X - Height of the gliding support

For planning purposes, please consider the height of the gliding supports (X) if usage is demanded.

All dimensions in mm

Type 121 T								
ø D	b x s	L	B x S	A Standard	H	Screws	Item number galvanized	Item number hot-dip galvanized
26.9	30 x 5	150	60 x 6	85	105	M10 x 30	24023548	24023564
33.7	30 x 5	150	60 x 6	85	108	M10 x 30	24023549	24023565
42.4	30 x 5	150	60 x 6	85	112	M10 x 30	24023550	24023566
48.3	30 x 5	150	60 x 6	85	115	M10 x 30	24023551	24023567
60.3	30 x 5	200	60 x 8	85	123	M10 x 30	24023552	24023568
76.1	30 x 5	200	60 x 8	85	131	M10 x 30	24023553	24023569
88.9	30 x 5	200	60 x 8	85	138	M10 x 30	24023554	24023570
114.3	40 x 6	200	80 x 8	86	151	M12 x 40	24023555	24023571
139.7	40 x 6	200	80 x 8	86	164	M12 x 40	24023556	24023572
168.3	40 x 6	250	100 x 8	106	198	M12 x 40	24023557	24023573
219.1	50 x 6	300	120 x 10	126	246	M16 x 50	24023558	24023574
273.0	50 x 6	300	120 x 10	126	273	M16 x 50	24023559	24023575
323.9	50 x 6	300	140 x 10	146	318	M16 x 50	24023560	24023576
355.6	50 x 6	300	140 x 10	146	334	M16 x 50	24023561	24023577
406.4	50 x 8	300	140 x 10	148	361	M16 x 50	24023562	24023578
508.0	50 x 8	300	140 x 10	148	412	M16 x 50	24023563	24023579

Other diameters and A-dimensions on request. Please tell us the requested pipe diameter and the A-dimension.

Specification

Material No. 1.0038, galvanized or hot-dip galvanized.

Also deliverable in ordinary steel or stainless steel material No. 1.4301 and 1.4571.

Gliding supports/glide guidance

Suitable gliding supports: Type 301, 302, 302 T-SH, 300 Z

Combination possibilities with Type

Suitable fixed points Type 116 S, 116 SK, 116-305P/S-I, 121-305P-T

**Also STAINLESS available
RUST
PROOF**

Ordering designations: Type... Diameter... A-dimension... Surface... Item number
e.g. 121 T ø60.3 A=85 galvanized 24023552