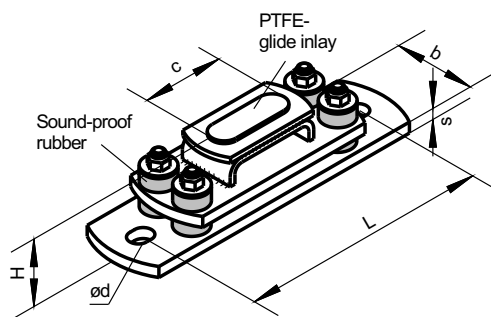


SCREW-ON GLIDE BOARD

Type 190 SA

with sound insulation

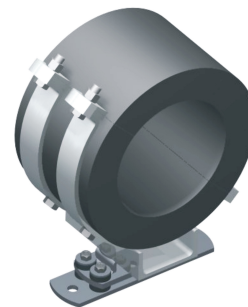
SOUND INSULATED
according to
DIN 4109



All dimensions in mm

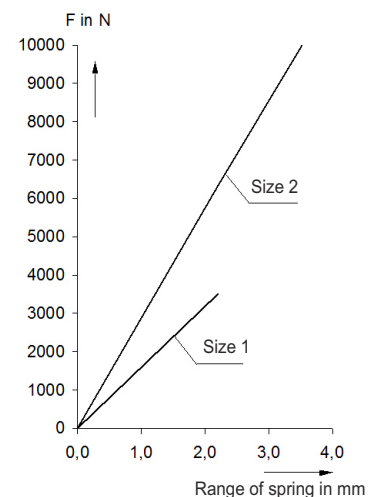
Size	Item number hot-dip galvanized	b x s	d	c	H	L
1	25004682	60x8	LL14x18	60	49	180
2	25004683	80x8	18	80	57	245

Mounting example



Combination
screw-on glide plate Type 190 SA with
low temperature glide bearing Type 171-2
catalogue page 156

Springing characteristics
of sound insulating rubber structures
Thickness of rubber plate = 10 mm



Description

The dipa® screw-on glide board Type 190 SA is a slide pipe bearing for model series Types 171 and 180. It is a sound-insulating element, with integrated PTFE- glide support. All 4 insulation units are screwed onto a ground-disc to avoid direct heat influence and permanently fulfil the requirements of DIN 4109.

Specification

Material No. 1.0038, zinc-coated

Preferable fields of application

Climate- and low temperature technology, distance heating



Ordering designations: Type... Size... Surface... Item number
e.g. 190 SA Gr.2 hot-dip galvanized 25004683