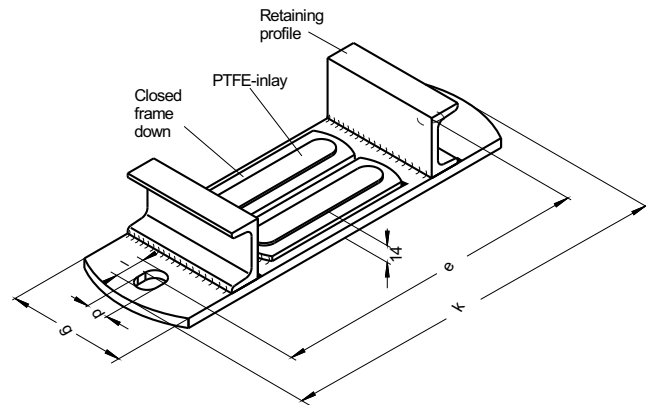
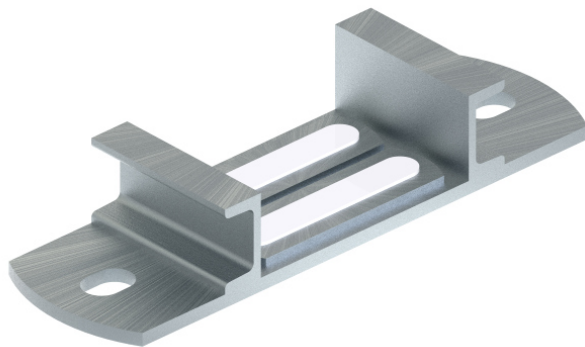


**SCREW ON GLIDE PLATE****Type 302 SF**

Selection list


**Selection list for series 121, 121 T, 121 T-VA, 121 T hv, 121 T S, 121 U, 171 and 180**

Pipe ø	Item number for series 121, 121 T, 121 T-VA, 121 T hv, 121 U hot-dip galvanized	Item number for series 121 TS hot-dip galvanized	Item number for series 171 and 180 hot-dip galvanized	
21.3	X	X	25023108 (Size 1)	
26.9 - 48.3	25023110 (Size 3)	X		
57.0		X	25023109 (Size 2)	
60.3		25018252 (Size 4)		25018253 (Size 5)
70.0 - 76.1			25023110 (Size 3)	
88.9				
108.0		25018252 (Size 4)	X	25018252 (Size 4)
114.3 - 139.7	25018263 (Size 6)			
159.0	X	X	25018253 (Size 5)	
168.3	25018253 (Size 5)	25018263 (Size 6)		
219.1 - 273.0	25018263 (Size 6)		25018263 (Size 6)	
323.9	25018254 (Size 7)			X
355.6 - 457.2				
508.0		X	25018255 (Size 8)	
610.0	X	X	25018256 (Size 9)	
711.0	X	X	25018257 (Size 10)	
813.0 - 914.0	X	X	25023315 (Size 11)	

X = Diameter on request


**Ordering designations: Type...**  
 e.g. 302 SF for Type 171 ø168.3

**Size...**  
 Size 5

**Surface...**  
 hot-dip galvanized

**Item number**  
 25018253