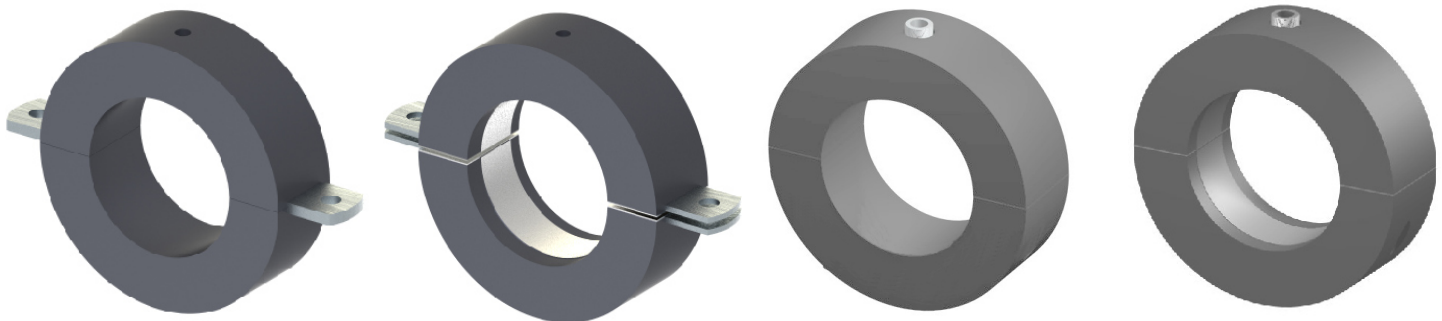


## LOW TEMPERATURE PIPE CLAMP Type 170-175

certified by the research institute of heat insulation e.V. Munich

Presentation = scope of supply



Low temperature pipe clamp  
**Type 170**

Low temperature pipe clamp  
**Type 170 plus**  
with active seal

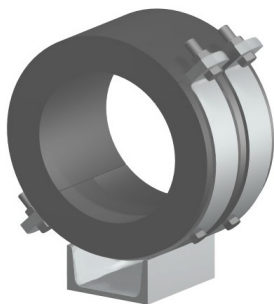
Low temperature pipe clamp  
**Typ 175**  
with connection  
limbs inside

Low temperature pipe clamp  
**Typ 175 plus**  
with active seal

### Description

Two pieces low temperature clamp made of closed cell pure PUR - foam of high density with integrated, zinc-coated steel-clamp. The connection to the structure is carried out in Type 170 by the protruding limb ends or the concentric thread. In the Type 175 the connection is enable by the concentric pipe thread or metrical thread. The high raw density of all dipa® low temperature clamps (250 kg/m<sup>3</sup>) and the direct contact of the hard PUR - core with the pipe makes high load admission possible (see diagrams) and can be used as low temperature sliding support series 171(see catalogue page 157 ff) and as low temperature fixed point Type 173-F (see catalogue page 168 ff) too.

Representation = scope of supply



Low temperature sliding support  
**Type 171**



Low temperature fixed point pipe clamp  
**Type 173 F**