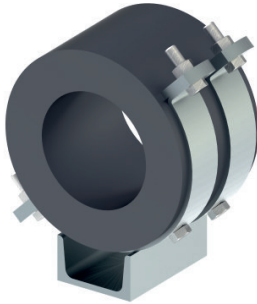


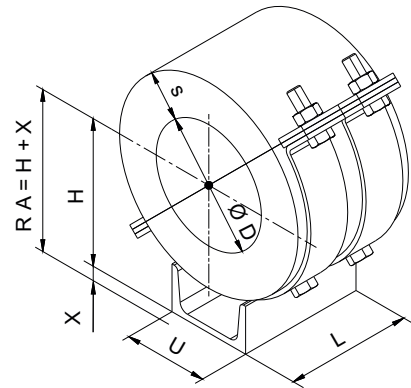
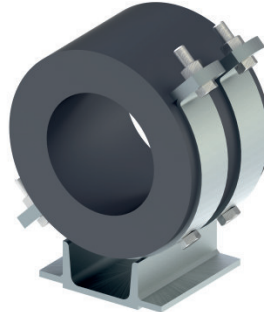
Type 171-2

2 pieces, combinable with glide support (Chapter 6)



Type 171-2 H

2 pieces with retaining profile, combinable with glide support (Chapter 6) and as Type 171-2 HS with roller bearing (Chapter 5)



X = Height of the gliding support

For planning purposes, please consider the height of the gliding support (X) if usage is demand.

All dimensions in mm

ØD	s	L	H ± 2	Screws	U-Profile	Typ 171-2		Typ 171-2 H	
						Item No. galvanized	Item No. hot-dip galvanized	Item No. galvanized	Item No. hot-dip galvanized
21,3	30	80	63	M 6x20	40	26022955	26004079	26022912	26004135
26,9	30	80	63	M 6x20	40	26022956	26004081	26022913	26004137
33,7	30	80	66	M 6x20	40	26022957	26004083	26022914	26004139
42,4	30	80	74	M 6x20	40	26022958	26004085	26022915	26004141
48,3	30	80	74	M 6x20	40	26022959	26004087	26022916	26004143
57,0	30	90	84	M 10x30	50	26022960	26004089	26022917	26004145
60,3	30	90	84	M 10x30	50	26022961	26004091	26022918	26004147
70,0	30	110	95	M 10x30	60	26022962	26004093	26022919	26004149
76,1	30	110	95	M 10x30	60	26022963	26004095	26022920	26004151
88,9	30	110	103	M 10x30	60	26022964	26004097	26022921	26004153
108,0	40	120	140	M 12x40	80	26022965	26004099	26022922	26004155
114,3	40	120	140	M 12x40	80	26022966	26004101	26022923	26004157
133,0	40	120	154	M 12x40	80	26022967	26004103	26022924	26004159
139,7	40	120	154	M 12x40	80	26022968	26004105	26022925	26004161
159,0	40	120	165	M 12x40	100	26022969	26004107	26022926	26004163
168,3	40	120	170	M 12x40	100	26022970	26004109	26022927	26004165
193,7	60	200	224	M 16x50	120	26022971	26004111	26022928	26004167
219,1	60	200	224	M 16x50	120	26022972	26004113	26022929	26004169
267,0	60	200	252	M 16x50	120	26022973	26004115	26022930	26004171
273,0	60	200	252	M 16x50	120	26022974	26004117	26022931	26004173
323,9	60	200	281	M 20x60	140	26022975	26004119	26022260	26004175
355,6	60	200	298	M 20x60	140	26022976	26004121	26022932	26004177
368,0	60	200	298	M 20x60	140	26022977	26004123	26022933	26004179
406,4	60	240	324	M 20x60	140	26022978	26004125	26022934	26004181
457,2	60	240	350	M 20x60	140	26022979	26004127	26022935	26004183
508,0	60	240	381	M 20x60	180	26022980	26004129	26022936	26004185
610,0	60	280	437	M 20x60	220	26022981	26004131	26022937	26004187
711,0	65	280	502	M 20x60	280	26021689	26004133	-	-
813,0	65	280	547	M 20x60	400	26022982	26016343	-	-
914,0	80	280	618	M 24x70	400	26022983	26022241	-	-
1016,0	100	280	696	2 x M 16x60	400	26035346	26016758	-	-
1220,0	100	280	803	2 x M 16x60	400	26037231	26037028	-	-

Other diameters and H-dimensions on request. Please tell us the requested pipe diameter and the H-dimension. From Ø 711.0 clamps are horizontal and linked with gusset plates.



Ordering designations: Type... Diameters... Surface... Item number...
e.g. 171-2 ø70.0 galvanized 26022962