

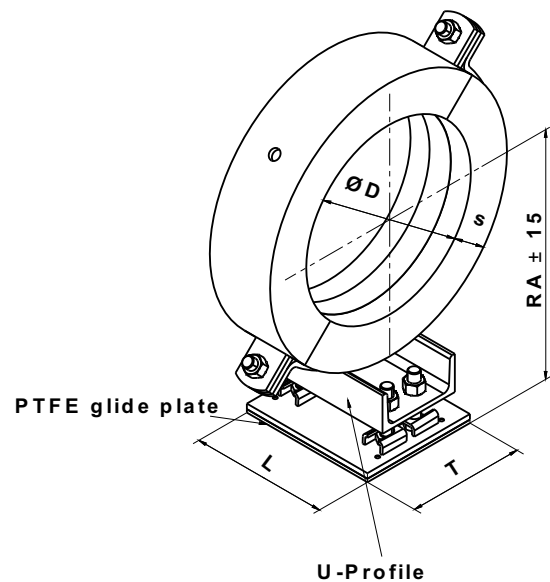
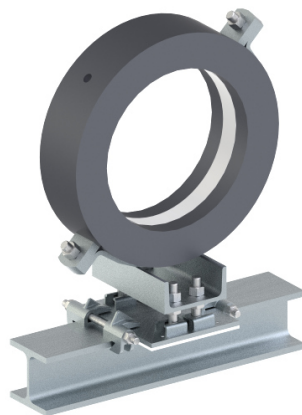
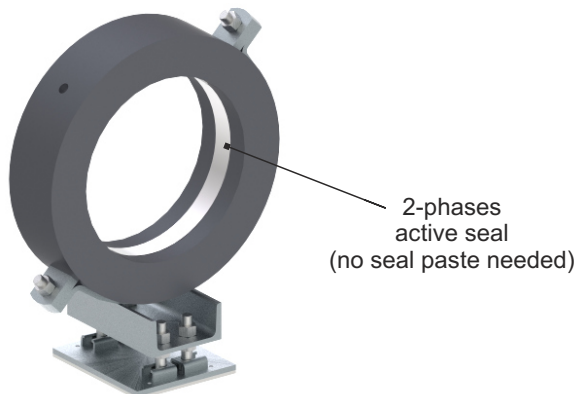
LOW TEMPERATURE GLIDE SUPPORT

height adjustable

Type 171-1H hv plus

dipa

NEU



Mounting example

Low temperature glide support Type 171-1 H hv in combination with mounting clip set Type 22 H1 see page 144

Description

Enhancement of the proved dipa® series 171 (see catalogue page 156) as height adjustable variation with excellent glide qualities due to holohedral PTFE-glide plate.

Idealy combinable with dipa® mounting clip set Type 22 H1 (see catalogue page 144).

All dimensions in mm

D	s	L	T	RA ± 15	U-Profile	Set screws	Leg connecting screws	Item No. galvanized	Item No. hot-dip galvanized
60,3	30	200	130	155	80 x 45 x 120	M 12 x 60	M 10 x 30	26026637	26026486
76,1	30			161	80 x 45 x 120		M 10 x 30	26026638	26026487
88,9	30			169	80 x 45 x 120		M 10 x 30	26026488	26026392
114,3	40			191	80 x 45 x 120		M 12 x 40	26026310	26026304
139,7	40			205	80 x 45 x 120		M 12 x 40	26026311	26026305
168,3	40	200	150	221	100 x 50 x 120	M 12 x 60	M 12 x 40	26026312	26026306
219,1	60		170	281	120 x 55 x 200	M 16 x 70	M 16 x 50	26026313	26026307
273,0	60		170	309	120 x 55 x 200	M 16 x 70	M 16 x 50	26026314	26026308
323,9	60		200	346	140 x 60 x 200	M 20 x 80	M 20 x 60	26026315	26026309

Other diameters and RA-dimensions on request. Please tell us the requested pipe diameter and the RA-dimension.

Specification

Galvanized or hot-dip galvanized.



Ordering designations: Type...
e.g. 171-1 H hv plus

Diameter...
ø76.1

Surface...
galvanized

Item number
26026638