

LOW TEMPERATURE ROLLER RESTRAINING BEARING

Type 172 Z
172 ZA

Low temperature roller bearing
restraint-guided
for displacements in **X** direction

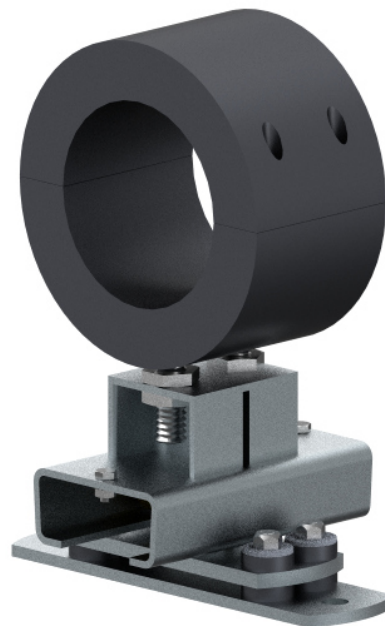
NEW

Type 172 Z

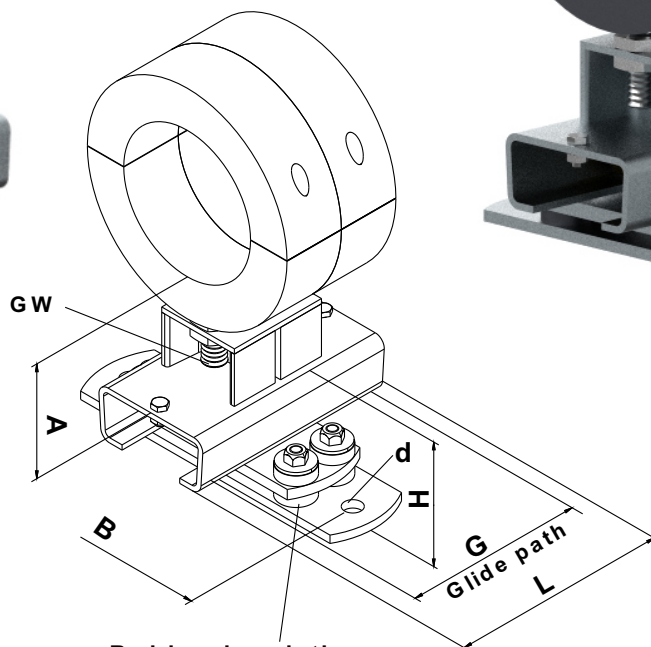


NEW

Type 172 ZA
with sound insulation



SOUND INSULATED
according to
DIN 4109



Rubber insulating unit (riu)

All dimensions in mm

valid for both designs							Type 172 Z			Type 172 ZA with sound insulation			
Size	Pipe ø	L	GW	d	G Glide path	A Standard	B	H	Item number hot-dip galvanized	riu piece	B	H	Item number hot-dip galvanized
2	76.1	200	1/2"	14	145	95 - 125	129	55	26 03 0090	4	180	74	26 03 0106
	26 03 0100								26 03 0107				
	26 03 0101								26 03 0108				
3	139.7		3/4"	18	141	105 - 135	160	66	26 03 0102	4	245	86	26 03 0109
	26 03 0103								26 03 0110				
	26 03 0104								26 03 0111				
	26 03 0105	26 03 0112											

Other diameters and A-dimensions on request. Please tell us the requested pipe diameter and the A-dimension.



Ordering designations: Type... Diameter... A-dimension... Surface... Item number
e.g. 172 ZA ø168.3 A= 110 hot-dip galvanized 26030110