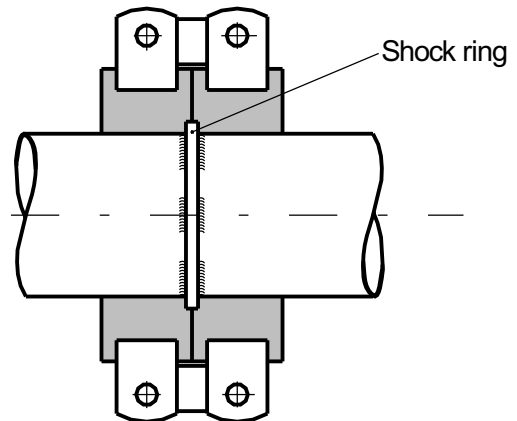
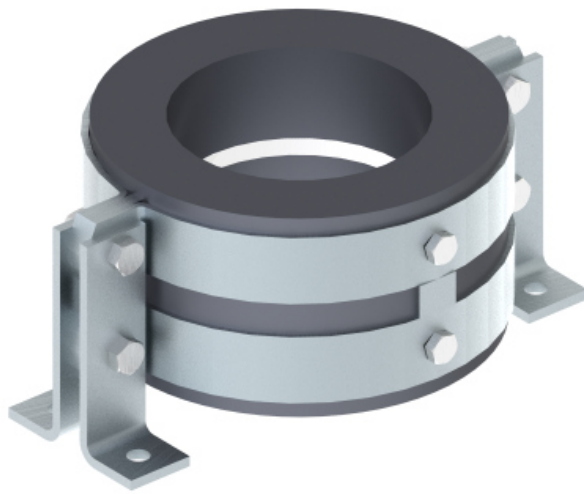


LOW TEMPERATURE FIXED POINT PIPE CLAMP

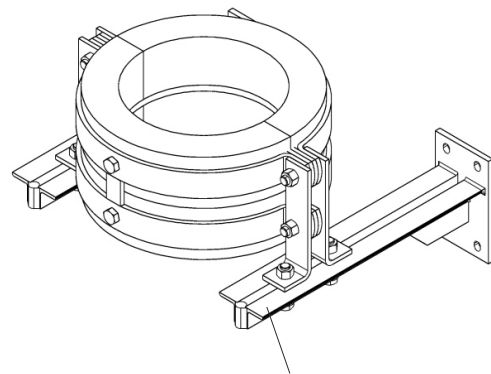
Type 173 L

for vertical pipe lines

dipa



Mounting example:
173 L with console 303 PF



Tip: Console 303 PF
is not included

Preferable fields of application

Air-, climate- and low temperature technology

Specification

Zinc-coated