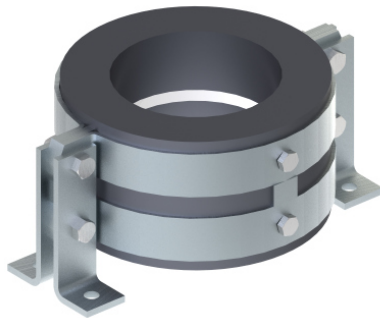
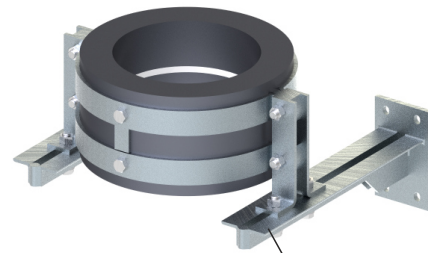


# LOW TEMPERATURE FIXED POINT PIPE CLAMP

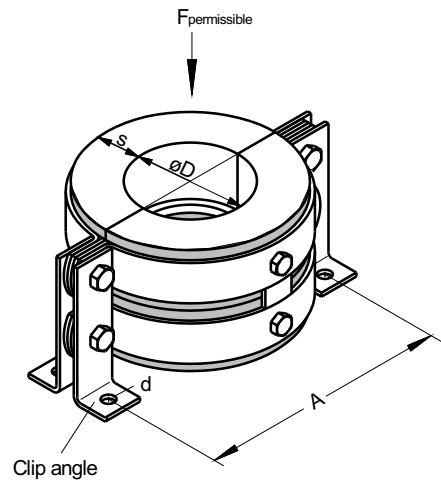
Type 173 L



Mounting example



Console Type 303 PF  
Catalogue page 184  
(not included in delivery)



All dimensions in mm

Pipe $\varnothing D$	s	A $\pm 2$	d	permissible pipe push force $F_{\text{permissible}}$	Item number hot-dip galvanized	Item number galvanized
57.0	30	160	11,0	0,8	26020947	26022628
60.3	30	160	11,0	1,2	26020948	26022629
70.0	30	176	11,0	1,3	26020949	26022630
76.1	30	176	11,0	1,4	26020950	26022631
88.9	30	190	11,0	1,7	26020951	26022632
108.0	40	250	13,0	2,0	26020952	26022633
114.3	40	250	13,0	2,7	26020953	26022634
133.0	40	276	13,0	3,1	26020954	26022635
139.7	40	276	13,0	3,2	26020941	26022636
159.0	40	295	13,0	3,7	26020955	26022637
168.3	40	304	13,0	3,9	26020942	26022638
193.7	60	410	18,0	5,4	26020956	26022639
219.1	60	410	18,0	6,1	26020957	26022640
267.0	60	464	18,0	7,3	26020958	26022641
273.0	60	464	18,0	7,5	26020959	26021121
323.9	60	537	18,0	8,8	26020960	26022642
355.6	60	569	18,0	9,7	26020961	26021122
368.0	60	581	18,0	10,0	26020962	26022643
406.4	60	635	18,0	12,5	26020963	26021123
457.2	60	686	18,0	14,0	26020964	26022644
508.0	60	737	18,0	16,0	26020965	26022645
610.0	60	862	18,0	22,0	26020966	26022646
711.0	65	973	18,0	25,0	26020967	26022647

**Other diameters on request. Please tell us the requested pipe diameter.**



Ordering designations: Type...  
e.g. 173 L

Diameter...  
 $\varnothing 168.3$

Surface...  
hot-dip galvanized

Item number  
26020942