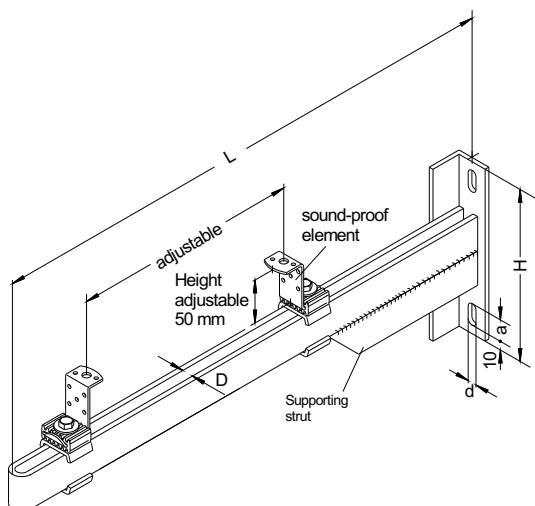
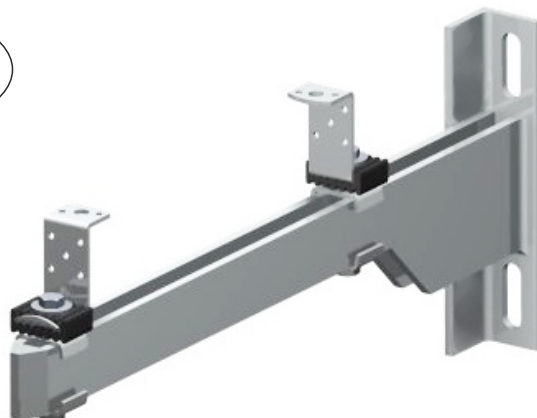


CONSOLE

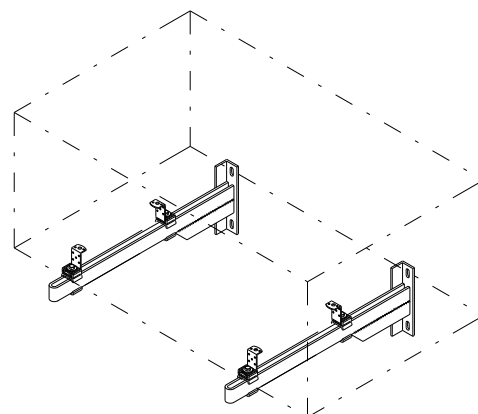
with sound insulation

Type 303 WF-A

SOUND INSULATED
according to
DIN 4109



Usage example



All dimensions in mm

1 KN load							
Size	L	H	D	Slot d x a	Supporting strut	ca. weight kg	Item number hot-dip galvanized
1	200	150	9	10,5 x 25	ohne	0,8	27025859
2	300	150	9	10,5 x 25	ohne	1,1	27025860
3	400	200	9	10,5 x 25	mit	2,2	27017379
4	500	250	9	10,5 x 25	mit	3,5	27025861
5	600	300	9	10,5 x 25	mit	4,0	27012287
6	700	350	9	10,5 x 25	mit	4,6	27025862

Specification

Zinc-coated



Ordering designations: Type...
e.g. 303 WF-A

Size...
Size 3

L-dimension...
L=400

Surface...
hot-dip galvanized

Item number
27017379