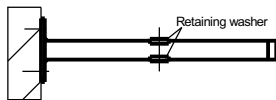
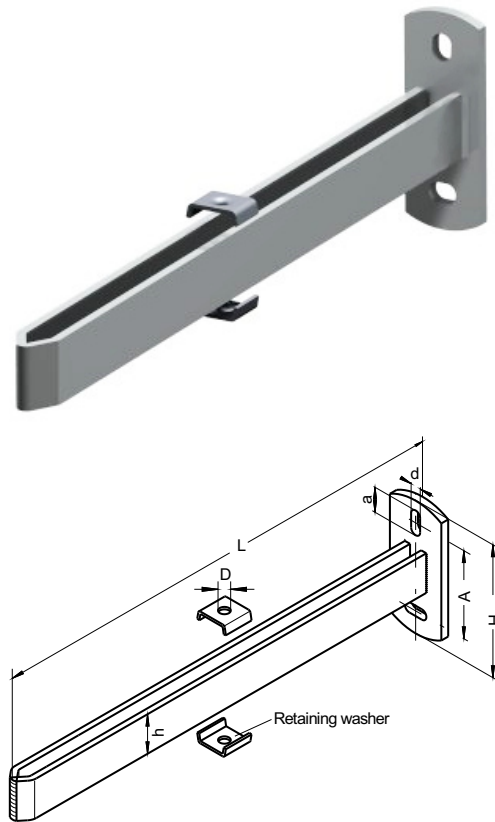
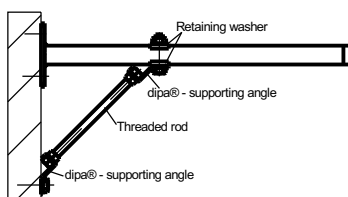


Mounting example:

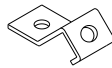
- Variation without supporting angle



- Variation with supporting angle



All dimensions in mm

| Size | L | H | h | D | | A | d x a | load KN | Item number hot-dip galvanized with standard „D“ | D | |
|------|-----|-----|----|----------|----------|----|---------|---------|--|---|---------------------------|
| | | | | optional | Standard | | | | | Supporting angle (Piece) | Item number galvanized |
| 1 | 400 | 125 | 30 | 10,5 | 13,0 | 80 | 13 x 18 | 0,2 | 27018850 |  | 31019547 |
| 2 | 500 | 135 | 40 | 10,5 | 13,0 | 90 | 13 x 18 | 0,5 | 27017526 | | |
| 3 | 600 | 135 | 40 | 10,5 | 13,0 | 90 | 13 x 18 | 0,5 | 27025863 | | |

Other dimensions on request.

Specification

Ordinary steel, hot-dip galvanized or stainless steel material No. 1.4571 with two retaining washer

Combination possibilities with Type

114, 114 GW, 114 Mu, 114 Ni, 170, 175

Also STAINLESS available
RUST
PROOF



Ordering designations: Type... Size... L-dimension... Hole øD... Surface... Item number... Supporting angle
e.g. 303 WFL Gr. 2 L=500 D=13 hot-dip galvanized 27017526 + 2 pieces 31019547