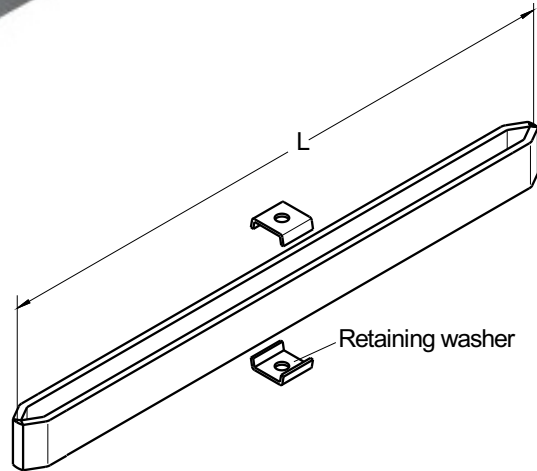


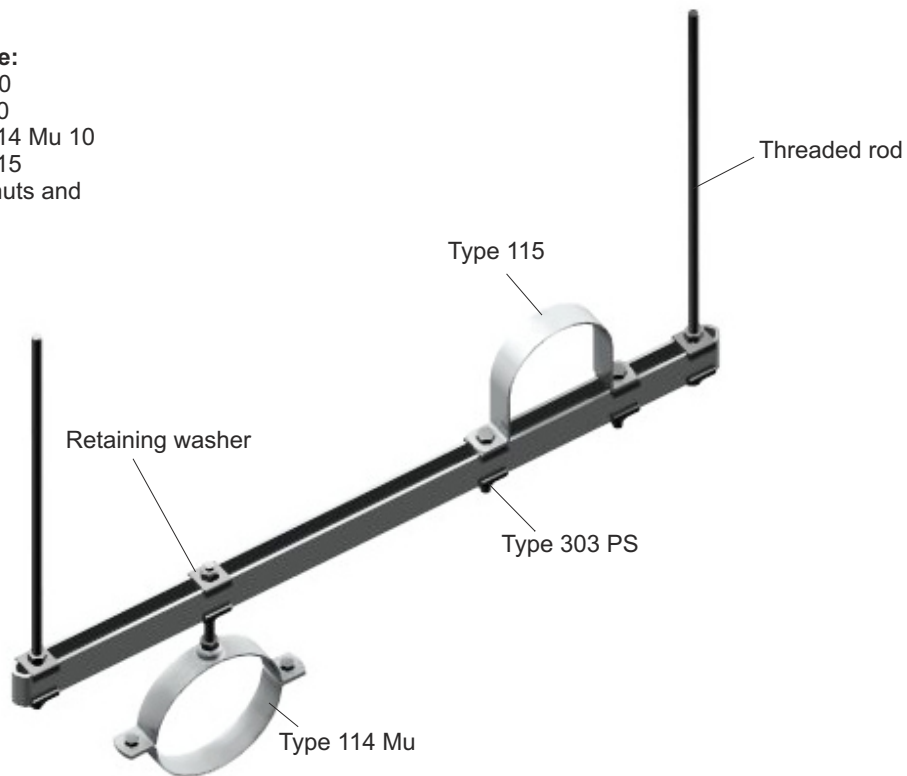
Also **STAINLESS** available  
**RUST PROOF**



**Ready made hanging system, zinc-coated or stainless steel on request.  
Please tell us the effective span L and the load factor.**

**Mounting example:**

Type 303 PS L=800  
Threaded rods M10  
Pipe clamp Type 114 Mu 10  
Pipe clamp Type 115  
including screws, nuts and retaining washers



**Ordering designations** (just profile rail):  
e.g.

**Type...**  
303 PS

**Length...**  
L= 600

**Surface...**  
hot-dip galvanized