

# PIPE CLAMP FOR BRIDGE DRAINAGE AS FIXED POINT

according to the WAS - guide line drawings

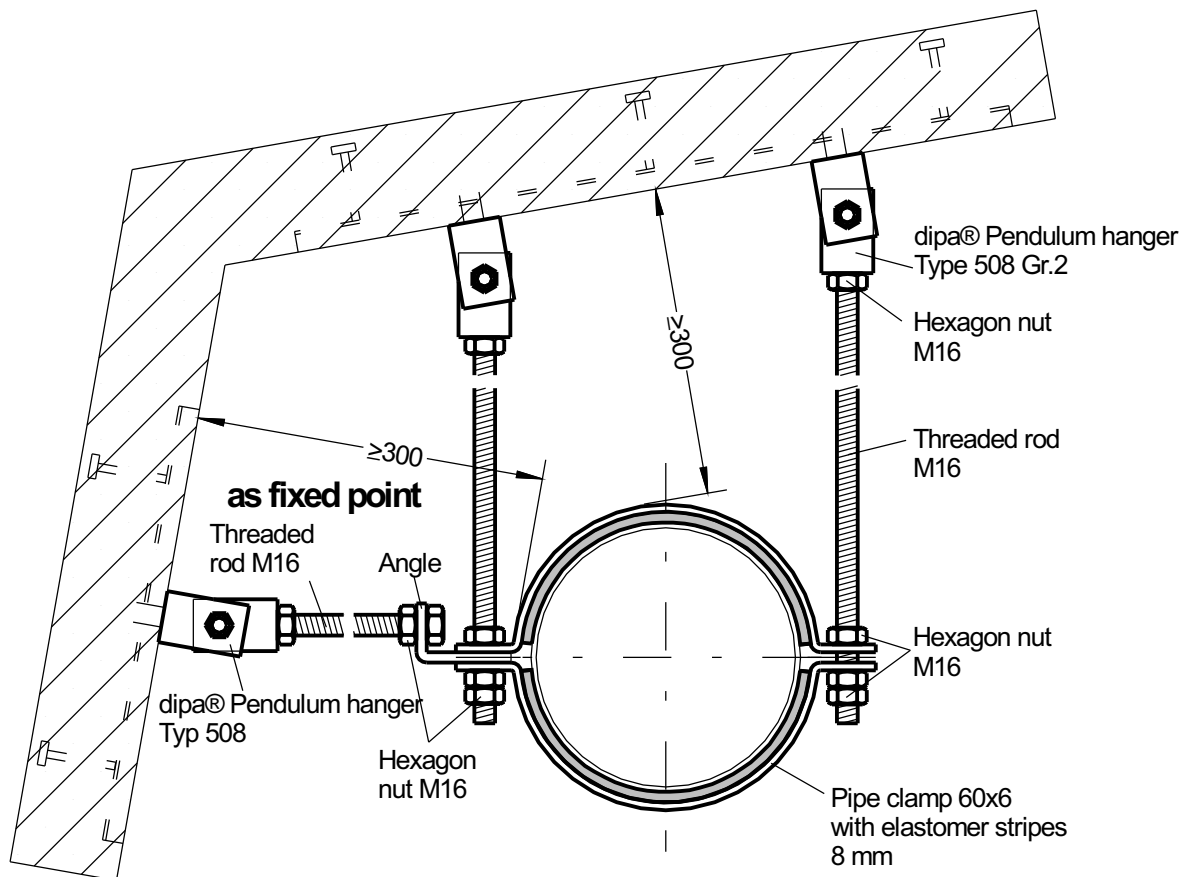
Type 114 B-F

according guide line drawings WAS 13 picture 1, edition Dez. 2004



STAINLESS STEEL  
RUST  
PROOF

Presentation = Scope of supply



## Description

Two piece pipe clamp made of stainless steel, quality A4, material No 1.4571 with inserted elastomer stripes 8 mm, diameter range DN 150 to DN 400.

As fixed point wall connection with dipa® pendulum hanger Type 508, angle, threaded rod M16 and hexagon nut according to the guide line drawings WAS 13 picture 1.